

SHADE | COMFORT | UV PROTECTION | HEAT REDUCTION



SANTANA
The Proven Contemporary
Awning System



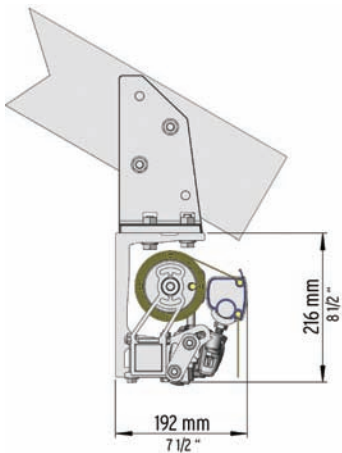
SANTANA



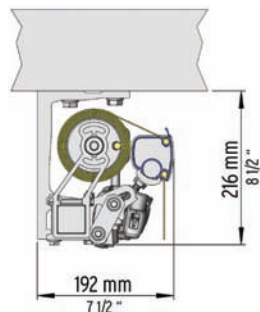
Solidux is the leader in quality awning systems for the discerning customer. Assembled in North America, Solidux awning systems share in the long history of exceptionally engineered German products, with an unwavering standard of designing and manufacturing exceptional quality products of lasting value.

Committed to superior design and custom made for you, a Solidux awning is set apart by its fine details and precise yet simple operation. Featuring the strongest arm in North America, a Solidux awning is more wind resistant and sure to keep your awning fabric tight and even.

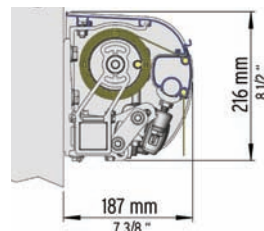
Offering the ultimate in awning products with a wide range of fabrics to choose from, Solidux is proud to stand behind awnings that are truly the class of the industry.



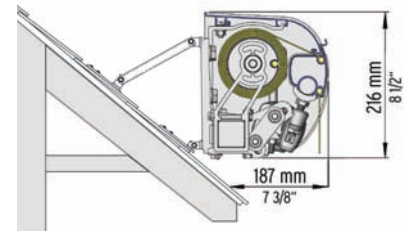
Joist Mount



Soffit Mount



Wall Mount



Roof Mount

The Reliable and Practical Awning Solution
- for Hours Enjoyed in the Shade!



STANDARD FEATURES

- Solid construction
- Galvanized steel torsion bar and roll tube prevents your awning from twisting
- High tension spring arms with stainless steel cables keep your awning fabric taut
- Aluminum die cast shoulders & fittings combine sleek design with great strength for longer arm life
- Stainless steel hardware prevents rusting
- 3:1 bevel gear with end stop for your ease of operation
- Heavy duty extruded aluminum brackets provide great strength and a variety of mounting options for a custom fit to your home
- Choice of North American leading Sunbrella® fabric or Swela® awning fabric coated with a Teflon® finish for the most durable combination, sewn with long lasting Tena thread for stronger seams.



SIZES	FRAME COLOR	OPTIONS
<ul style="list-style-type: none"> • Widths up to 20' (6m) • Projections up to 11'6" (3.5m) 	<ul style="list-style-type: none"> • White powder coated aluminum 	<ul style="list-style-type: none"> • Awning Hood • Motorized operation • Choice of Soltis® or Dickson® fabrics • Automated Control Systems



- Patented arm holder to adjust the pitch for your convenience



- Front bar closes tight to hood to keep fabric well protected



- Nicely designed hood side caps

SANTANA

The Santana stands out with its quality materials and proven technology. While rolled up, the fabric is protected against the elements by a protective roof (optional). The front bar profile and the protective roof close like a half cassette awning.

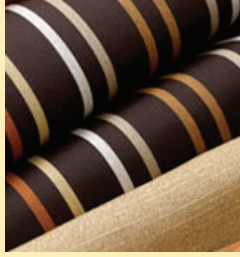
A stable arm technology keeps a tight cloth and allows for many years of awning enjoyment. We offer a choice of over 130 designs – ask your specialist dealer for advice. Valances in matching fabric are also available for additional sun protection.

Choose from a wide variety of colours and patterns



CHOOSE From The World's Leading Fabrics

Use shade to protect against harmful UV rays



sunbrella™

- the leader in the performance fabric industry in innovation, new applications, quality and production efficiency across North America
- featuring over 100 choices of beautiful solids and patterns.



swela®

- the latest development in fabric technique has made them the leading fabric manufacturer in Europe
- easy clean, water repellent fabric and brighter colour options.

ACCESSORIZE Your Awning

For greater ease of operation



- motorized control systems for ease of operation
- remote control available
- control via sensor for sun and wind

SHADE | COMFORT | UV PROTECTION | HEAT REDUCTION

 **SOLIDUX®**
CANADA

www.soliduxcanada.com